

For all regional inquiries:

Caribbean Region

Robert Hazel

roberthazel@resourcerecoverybelize.com

resourcerecoverybelize.com



TERRAFORMA
SYSTEMS



T-REX Composter Series Specifications

Machine Model				
	T100	T200	T300	T500
Compost Capacity				
Daily	275 Kg (600 lbs)	550 Kg (1,200 lbs)	825 Kg (1,800 lbs)	1,370 Kg (3,000 lbs)
Monthly	8,300 Kg (18,300 lbs)	16,700 Kg (36,800 lbs)	25,000 Kg (55,100 lbs)	41,700 Kg (92,000 lbs)
Annually	100 T	200 T	300 T	500 T
Volume Reduction				
Up to 80%				
Compost Time				
24 hours				
Electrical System Options				
Three-phase 480 Volts 60Hz, otherwise transformer required				
Maximum Power Draw				
	13 kW	25 kW	30 kW	45 kW
Average Power Usage (Consumption may vary based on usage)				
	2,500 kWh/month	3,827 kWh/month	4,950 kWh/month	6,483 kWh/month
Machine Dimensions				
Width	2850 mm (112.25 in)	3176 mm (125.00 in)	3845 mm (151.38 in)	4508 mm (177.50 in)
Depth	1148 mm (45.25 in)	1508 mm (59.38 in)	1626 mm (64.00 in)	1769 mm (69.63 in)
Height	1473 mm (58.00 in)	1833 mm (72.13 in)	2030 mm (79.88 in)	2192 mm (86.25 in)
Machine Weight				
Empty	1,527.9 kg (3,368.44 lbs)	1,879.6 kg (4,143.81 lbs)	2,138.3 kg (4,714.15 lbs)	2,405 kg (5,302.12 lbs)
Max Operating	2,758.3 kg (6,081.01 lbs)	4,369.9 kg (9,633.98 lbs)	6,418.1 kg (14,149.49 lbs)	8,418.1 kg (18,558.73 lbs)
Installation Requirements				
<ol style="list-style-type: none"> 1. Dedicated 480V three-phase power supply 2. Ventilation pipe (with recommended condensation line) 3. Water and drainage connections (for optional tote washing) 4. Suitable room specifications and delivery dock 				
Machine Material				
Tank	304 stainless steel			
Outer Panels	304 stainless steel			

Contact Us

info@terraformasystems.com

Visit Our Website

terraformasystems.com

Loading Door

Manual top loading door with proximity sensors

Offloading Door

Manual front offloading door with proximity sensors

Heating

Insulated electric heating pads

Machine Features

Sensors

Monitors temperature and machine functionality in real-time, ensuring safe operation and automatic response when limits are exceeded

Energy Saving Mode

Machine enters Energy Saving Mode once the target humidity is reached, reducing fan speed and maintaining temperature until another mode is activated or manually stopped

Sanitation

Meets Canadian Food Inspection Agency standards (60°C for 60 minutes) for heat treatment required for processing organic materials effectively eliminating potentially harmful pathogens and bacteria

Touch Screen

HMI touch screen provides real-time data on humidity, temperature, and machine controls, offering a simple, interactive interface for operators

Manual Mode

Allows operators to control individual machine functions directly

Tote Lifter

Used to lift and load organic waste into the machine, ensuring safe and efficient operation

Interior Camera

Provides operators easy observation of the composting process

Remote Monitoring System

Remote monitoring, software upgrades, and an interactive waste reporting dashboard

Paddles

Agitator paddles designed for maximum tearing of organic materials to ensure efficient mixing and breakdown

Safety Features

- Composter stops if the doors are detected open, except during Waste Input or Manual Modes
- Sensors trigger alarm when a disruption is detected in the system
- PID temperature-controlled heat pads ensure precise temperature regulation
- Emergency stop button

Deodorizer

Features

Activated charcoal odor neutralizer

Dimensions

520 mm (20.47 in) W x 1,206 mm (47.48 in) D x 781 mm (30.75 in) H

Installation Requirement

Exhaust ventilation

Tote Lifter

Depth - Door Closed

1,175 mm (46.26 in)

Depth - Door Open

1,834 mm (72.21 in)

Maximum Tipper Height

2,560 mm (100.79 in)

2,860 mm (112.60 in)

3,160 mm (124.41 in)

3,460 mm (136.22 in)

Features

Designed for North American and European 32-gallon or 64-gallon totes

Installation Requirement

24 Volt or 110 Voltage power supply

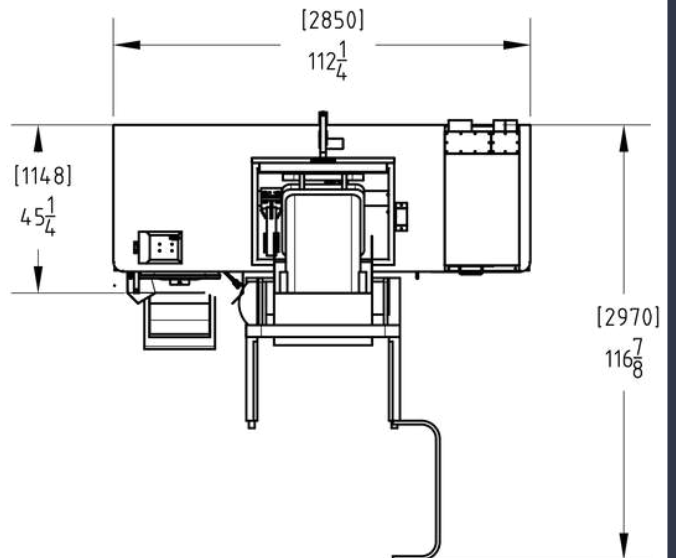
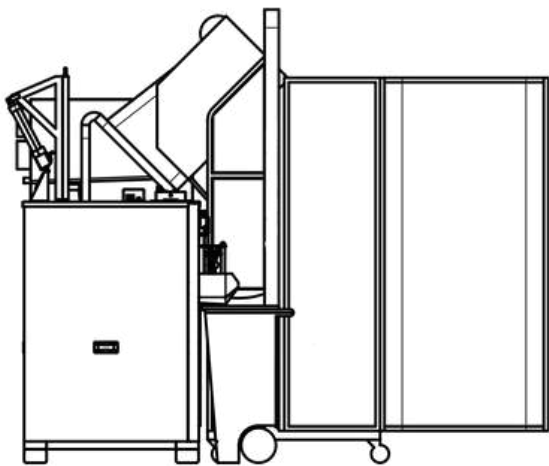
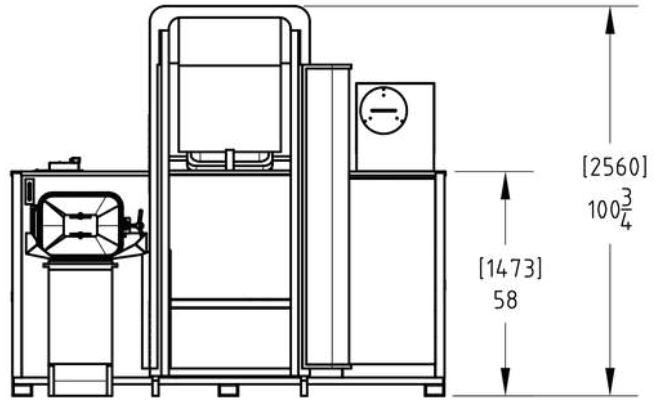
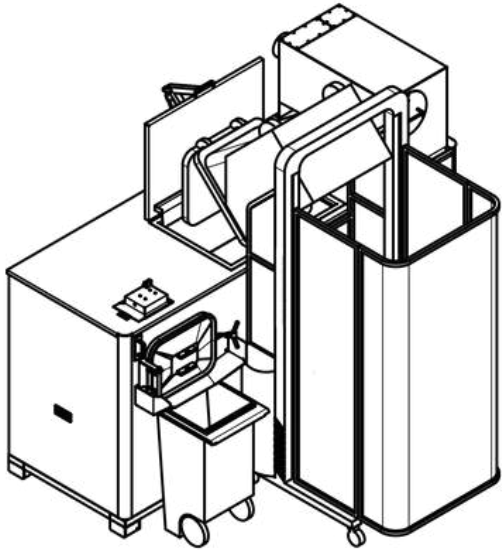
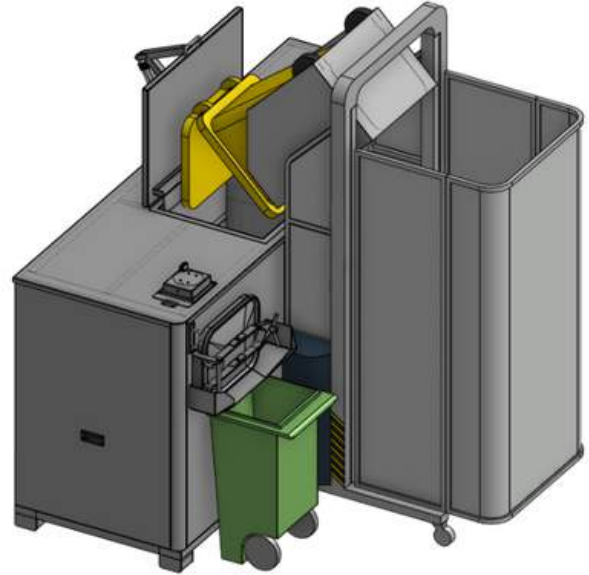
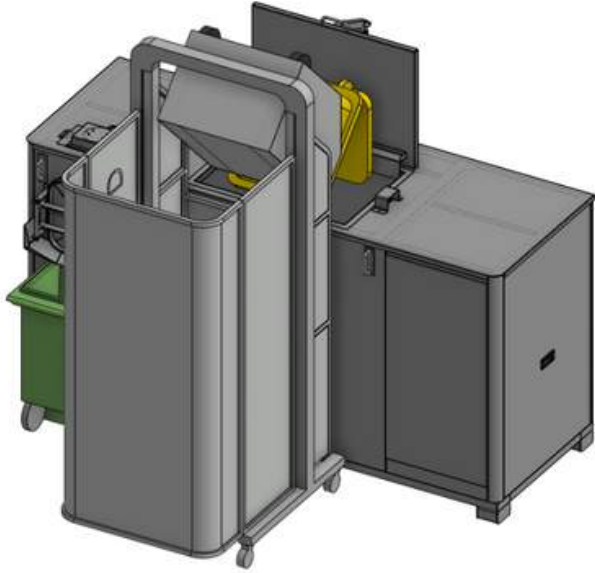
Contact Us

info@terraformasystems.com

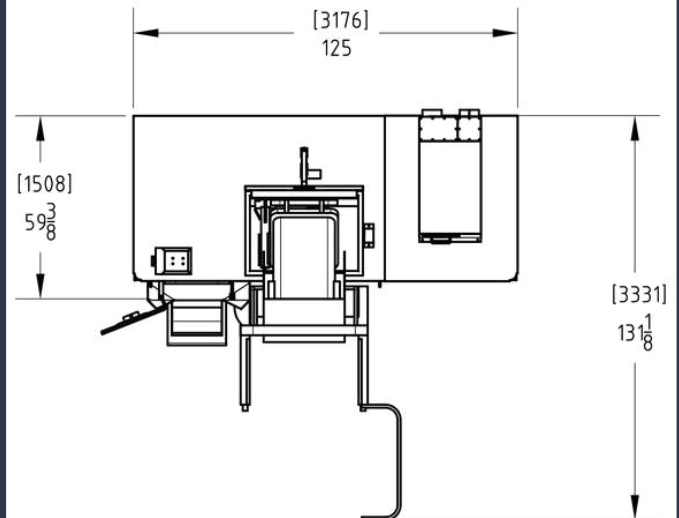
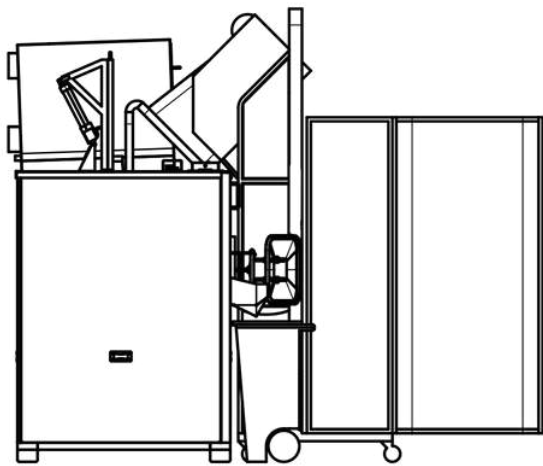
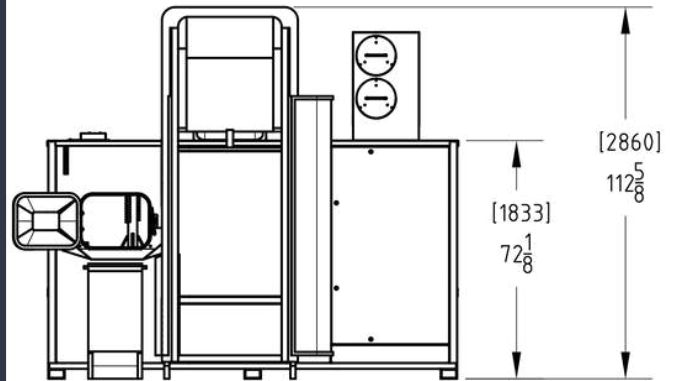
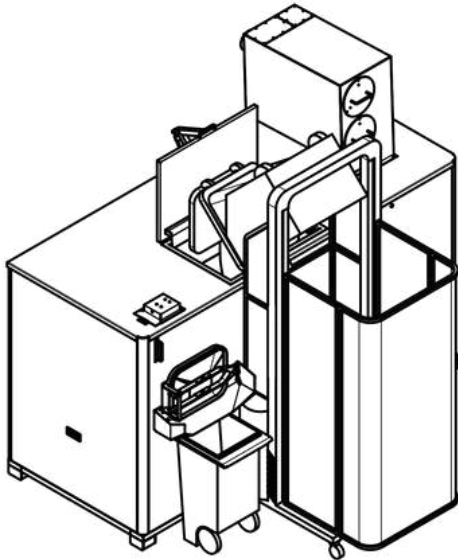
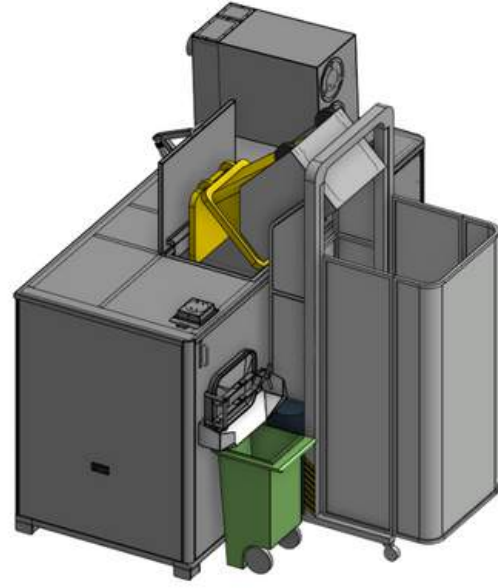
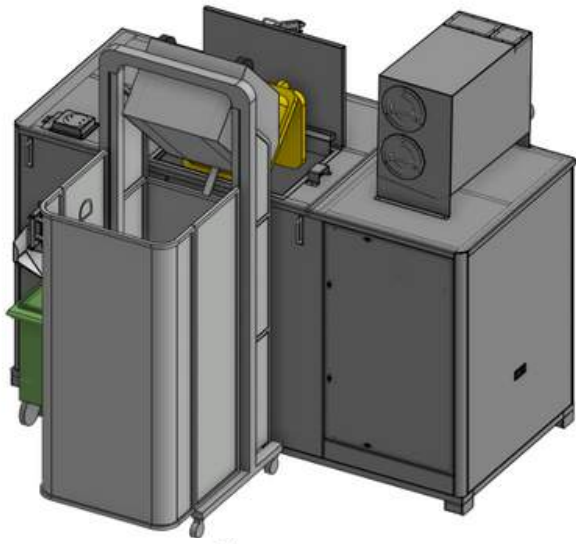
Visit Our Website

terraformasystems.com

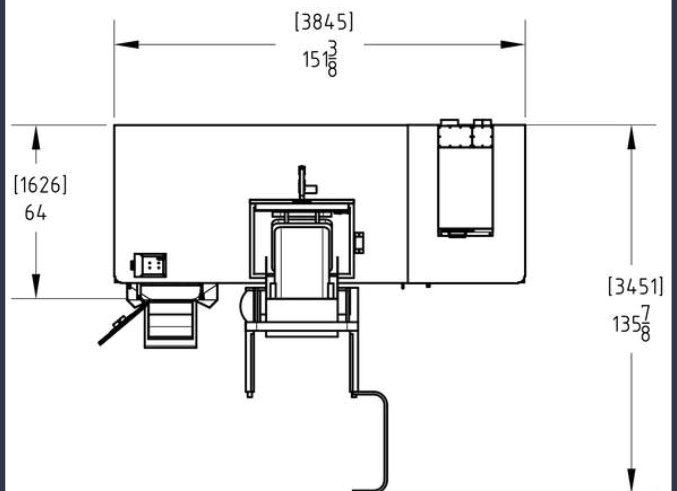
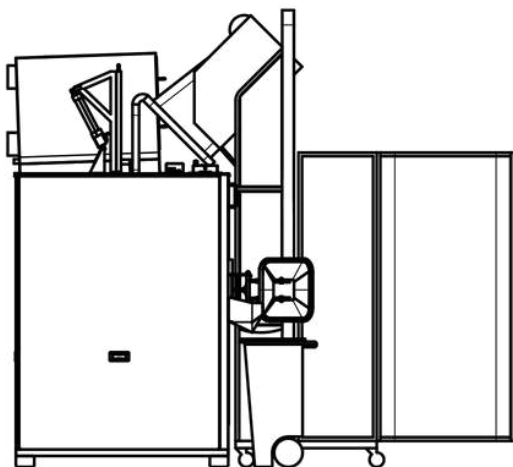
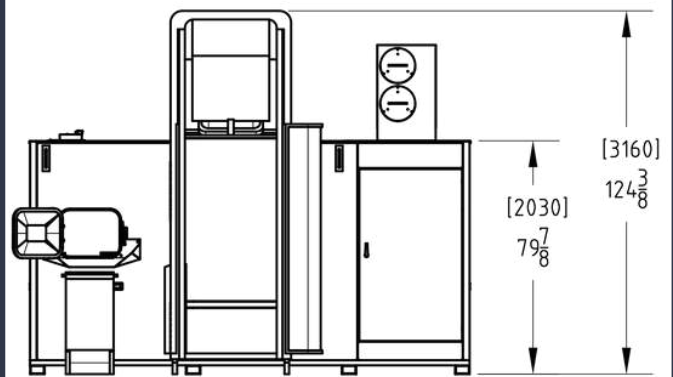
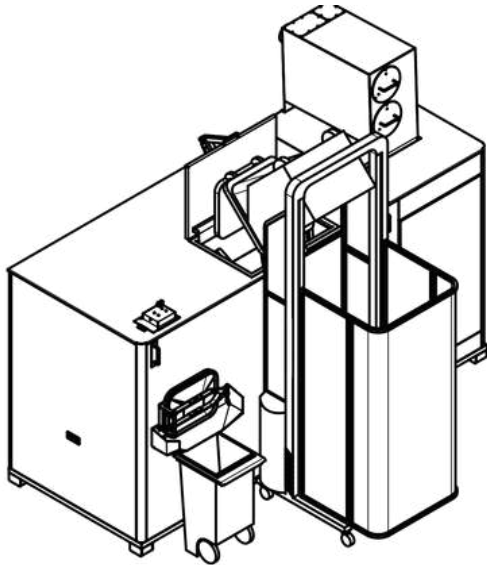
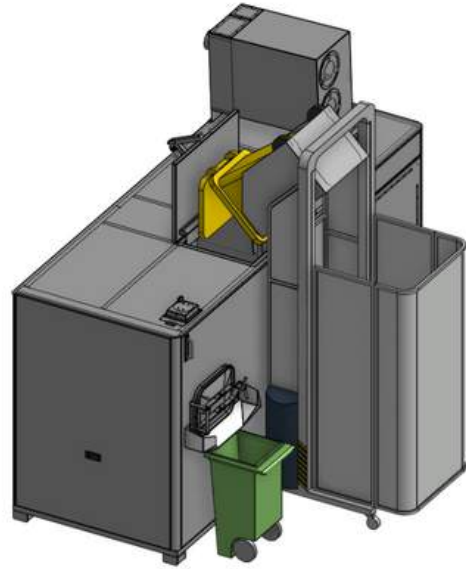
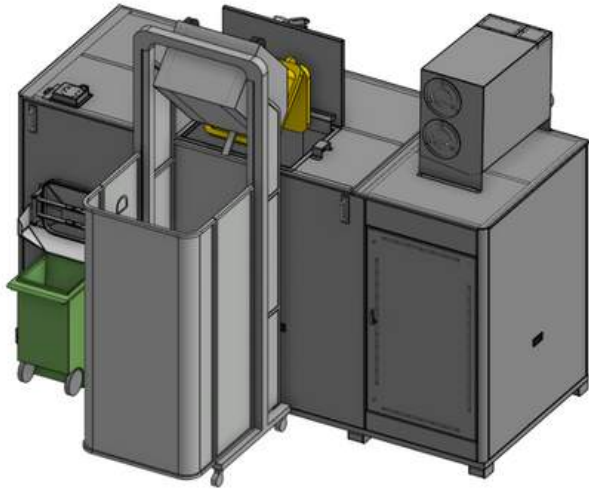
T100 Full Assembly



T200 Full Assembly



T300 Full Assembly



T500 Full Assembly

